

# Dual-spectrum PT Network Camera

## IRS-PT234-T

---



### Product Feature

1. Clearer imaging with the latest generation of InfiRay® 12micron uncooled infrared detector and leading infrared image algorithm.
2. Visual and thermal dual-spectrum imaging, meet the needs of 24/7 safety surveillance.
3. Support intelligent behavior analysis, such as dual-spectrum crossing line detection and region intrusion detection.
4. Support professional temperature measurement analysis tools and intelligent fire detection algorithm.
5. 4.5KG lightweight, high speed, high precision PT with encapsulation rating IP66.

6. Support high speed Gigabit network communication, single IP & double-channel scheme.

7. Provide NVR and client software VMS, support standard interface protocols such as ONVIF, GB28181 and SDK for secondary development.

## Camera Performance Parameters

<b>Camera Model</b>	IRS-PT234-T			
<b>Thermal Parameters</b>				
Detector Type	VOx Uncooled FPA detector			
Spectral Range	8 ~ 14 $\mu$ m			
NETD	$\leq 40\text{mK @}25^{\circ}\text{C, F\#}1.0$			
Max. Resolution	384 $\times$ 288			
Pixel	17 $\mu$ m			
Focal Length	13mm	25mm	13mm	25mm
Focusing Type	Athermalized	Athermalized	Auto-focus	Auto-focus
FOV	28.1 $^{\circ}$ $\times$ 21.3 $^{\circ}$	19.5 $^{\circ}$ $\times$ 14.7 $^{\circ}$	29.6 $^{\circ}$ $\times$ 22 $^{\circ}$	19.6 $^{\circ}$ $\times$ 14.7 $^{\circ}$
F#	F1.0			
IFOV	1.3mrad	0.89mrad	1.3mrad	0.89mrad
Color Palettes	20 kinds of palettes selectable such as Blackhot/Whitehot/Rainbow, etc.			
<b>Optical Parameters</b>				
Sensor	1/1.8inch 4MP CMOS sensor			
Max. Resolution	2688 $\times$ 1520			
Focal Length	6.4mm ~ 128mm 20x optical zoom			
Focusing Type	Auto / Manual / One-shot auto			
FOV	Horizontal: 59.6 $^{\circ}$ ~ 3.5 $^{\circ}$			
Min. Illumination	Color: 0.05Lux@ (F1.6, AGC ON) B/W: 0.01Lux@ (F1.6, AGC ON)			
WDR	Support, 120dB			
Day/Night	ICR auto switch/electronic color to B/W, switch by light intensity/time setting/manual switch			
DNR	3D NR			
<b>PT Parameters</b>				
Pan Range	Pan: 360 $^{\circ}$ continuous rotate			
Pan Speed	Configurable: 0.1 $^{\circ}$ ~ 100 $^{\circ}$ /s			

Tilt Range	Tilt:-90° ~ +90°
Tilt Speed	Configurable:0.1° ~ 60°/s
Preset Accuracy	±0.1°
Presets	256
Patrol Scan	8, up to 255 presets per patrol
Scanning Mode	Presets, Tour, Scan Patrol, Auto Scan, Pattern, Auto Pan
3D Positioning	Support
Power Off Memory	Support
Speed Setup	Speed adaptation to focal length
Position Setup	Support, configurable in horizontal /vertical
Privacy Mask	Support
Park	Presets, Tour, Scan Patrol, Auto Scan, Pattern, Auto Pan
Scheduled Task	Presets, Tour, Scan Patrol, Auto Scan, Pattern, Auto Pan
Anti-burn	Support
Remote Power-off Reboot	Support
<b>Network Functions</b>	
Protocols	IPv4/v6,HTTP,HTTPS,802.1x,QoS,FTP,SMTP,UPnP,SNMP,DNS,DDNS,NTP,RTSP,RTCP,RTP,TCP,UDP,IGMP,ICMP,DHCP
Interoperability	ONVIF,GB28181,CGI
Simultaneous Live View	Up to 20 channels
User Management	Up to 20 users,3 levels: administrator, operator and user
Browser	IE browser and multiple languages (Chinese and English)
<b>Video Parameters</b>	
Max. Resolution	2688×1520(visible), 1280×1024(thermal)
Image Encoding Format	JPEG
Audio Compression	G.711A/G.711Mu/PCM/AAC/MPEG2-Layer2
Video Compression	H.264/H.265/MJPEG
Main Stream	Visible: 50Hz:25fps(2688×1520,1920×1080,1280×720); 60Hz:30fps(2688×1520,1920×1080,1280×720); Thermal: 50Hz:25fps(1280×1024,1024×720);

	60Hz:30fps(1280×1024,1024×720);
Sub Stream	Visible: 50Hz:25fps(1920×1080, 1280×720, 704×576, 352×288); 60Hz:30fps(1920×1080, 1280×720,704×480, 352×240); Thermal: 50Hz:25fps(1280×1024,1280×720, 704×576, 640×512); 60Hz:30fps(1280×1024,1280×720,704×480, 640×512);
<b>Temperature Measuring Functions</b>	
Measuring Range	-20°C ~ +150°C,0°C ~ 550°C
Measuring Accuracy	±2°C or ±2% (the greater value shall prevail)
Temperature Measurement Analysis	Temperature measurement rules and alarm linkage such as full frame, point (12), line (12), region (12), temperature contrast
<b>Smart Functions</b>	
Fire Detection	Support dynamic fire detection
Cold Spot& Hot Spot Trace	Support
Smart Record	Support the function of resumable transmission after disconnection to ensure that the data is not lost.
Smart Alarm	Support alarm trigger of network disconnection, IP address conflict, memory error, illegal access and abnormal audio and high-lights pre-alarm
Smart Detecting	Intelligent video analysis functions such as regional intrusion, cross-border intrusion, item leftover, item moving, and personnel wandering
Alarm Linkage	Recording/Capture/Sending mail/PTZ linkage/Alarm output
<b>System Interface</b>	
Power Supply	DC 24V
Communication Interface	RJ45 self-adaptive 10M/100M Ethernet port
Audio Input	1channel
Audio Output	1channel
Alarm Input	2 channels
Alarm Output	2 channels
Storage Interface	Support Micro SD card (Max.256G)
RS485	1channel, and support Pelco protocol
<b>General Parameters</b>	
Operating Temperature/Humidity	-40°C ~ +70°C; <90%RH
Protection Level	IP66, TVS 6000V lightning protection, surge protection; Conform to GB/T17626.5 Level-4 Standard;

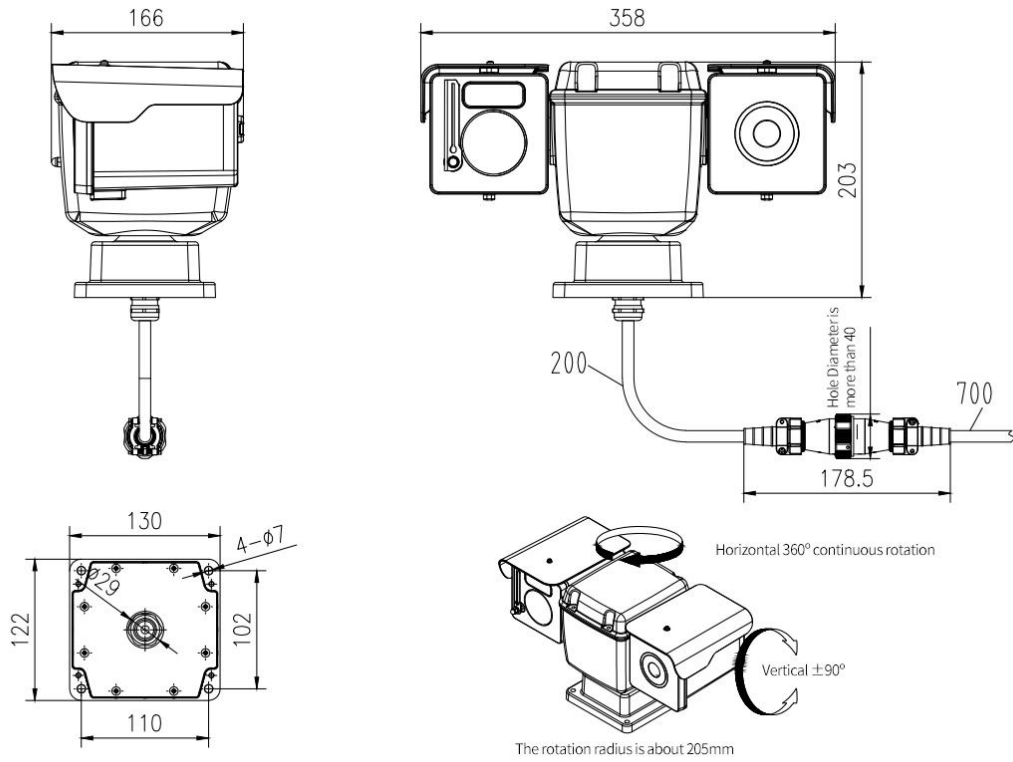
Power Consumption	7W when PT is static, maximum consumption is less than 30W
Dimension(mm)	358×166×203mm (L×W×H)
Weight	4.5KGS

## Operating Distance

The recommended distance of detecting, recognizing and identifying for vehicle (1.4 × 4.0m) and human (1.8 × 0.5m) are as follows:

Equipped Lens	DD (vehicle)	DD (man)	ID (vehicle)	ID (man)	RD (vehicle)	RD (man)
13mm	1173m	382m	293m	96m	147m	48m
25mm	2255m	735m	564m	184m	282m	92m

## Structure and Dimensions



©IRay Technology Co., Ltd. 2023. All right reserved worldwide.

This datasheet is subject to change without prior notice. Please contact us to get the latest datasheet.